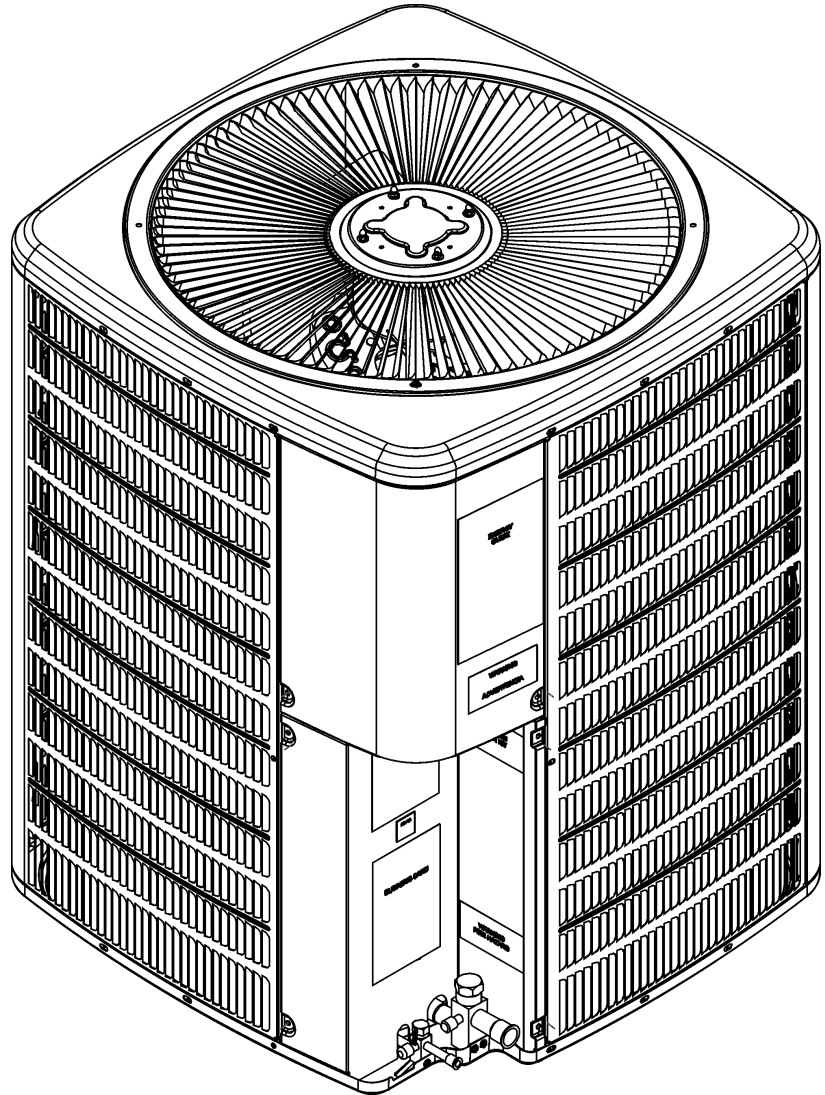


DZ14SA 3 Phase Remote Heat Pump

- DZ14SA0363AA
- DZ14SA0364AA
- DZ14SA0364AB
- DZ14SA0483AA
- DZ14SA0483AB
- DZ14SA0484AA
- DZ14SA0484AB
- DZ14SA0603AA
- DZ14SA0603AB
- DZ14SA0604AA
- DZ14SA0604AB



This manual is to be used by qualified technicians only.

Important Information

Index

Functional Parts List	3
Illustration and Parts	4 - 9

Views shown are for parts illustrations only, not servicing procedures

Text Codes:

AR - As Required

NA - Not Available

NS - Not Shown

00000000 - See Note

QTY - Quantity Example (QTY 3) (If Quantity not shown, Quantity = 1)

M - Model Example (M1) (If M Code not shown, then part is used on all Models)

Expanded Model Nomenclature:

Example M1 - Model#1 M2 - Model#2 M3 - Model#3

Daikin Manufacturing Company, L.P. is not responsible for personal injury or property damage resulting from improper service. Review all service information before beginning repairs.

Warranty service must be performed by an authorized technician, using authorized factory parts. If service is required after the warranty expires, Daikin Manufacturing Company, L.P. also recommends contacting an authorized technician and using authorized factory parts.

Daikin Manufacturing Company, L.P. reserves the right to discontinue, or change at any time, specifications or designs without notice or without incurring obligations.

For assistance within the U.S.A. contact:

Homeowner Support
Daikin North America, LLC
19001 Kermier Road
Waller, Texas 77484
855-770-5678-Telephone
713-863-2382-Facsimile

For assistance outside the U.S.A. contact:

International Division
Daikin North America, LLC
19001 Kermier Road
Waller, Texas 77484
713-861-2500-Telephone
713-863-2382-Facsimile

Functional Parts

Part

No: Description:

ZP40K6ETF5130	(COMP, 53500, 208/230/60/3) (M4, M5)
ZP40K6ETFD130	(COMP, 53600, 460/60/3) (M6, M7)
ZP31K6ETF5130	(COMP, 42500, 208/230/60/3) (M1)
ZP31K6ETFD130	(COMP, 42500, 460/60/3) (M2, M3)
0151R00078	BASE VALVE 3/8"
CAP050000370LA	CAPACITOR 5/370V
ZP51K5ETF5130	COMPRESSOR 51000, 208/230/60/3 (M8, M9)
ZP51K5ETFD130	COMPRESSOR 51000, 460/60/3 (M10, M11)
0131M00061	COND MOTOR 1/4 HP, 1 SP, 8 PL (M4, M8)
0131M00023S	COND MOTOR 1/6 HP, 8 PL, 460V (M2)
CONT3P025024V	CONTACTOR 25 AMP, 3P, 24V
0130M00250	CONTROL, DEFROST
0130R00056	CUT-OUT SWITCH, HIGH PRESSURE
0130R00001	CUT-OUT SWITCH, LOW PRESSURE
PCBDM101	DEFROST CONTROL BOARD
10625738	FAN BLADE 26" ALUM CCW (M8, M9, M10, M11)
B1086764	FAN BLADE TYPE 2 (M1, M2, M3)
B1086765	FAN BLADE TYPE 3 (M4, M5, M6, M7)
0163R00031	HEATER CRANKCASE 460V, 40W (M2, M3)
0163R00004	HEATER CRANKCASE, 460V, 40W (M6, M7, M10, M11)
0163R00003	HEATER, CRANKCASE 230V 40W (M4, M5, M8, M9)
0163R00002	HEATER, CRANKCASE 230V, 40W (M1)
0131M00022	MOTOR 1/4 HP, 8 PL, 460V (M6, M10)
0131M00783	MOTOR, 1/4HP 8PL 460V (M7, M11)
0131M00807	MOTOR, 1/4HP, 1SP, 8PL, AL (M5, M9)
0131M00784	MOTOR, 1/6HP 8PL 460V (M3)
0131M00753	MOTOR, 1/6HP, 1SP, 8PL, AL (M1)
0151R00071	REVERSING VALVE (M4, M5, M6, M7, M8, M9, M10, M11)
0151R00069	REVERSING VALVE (M1, M2, M3)
B1225022	SOLENOID COIL

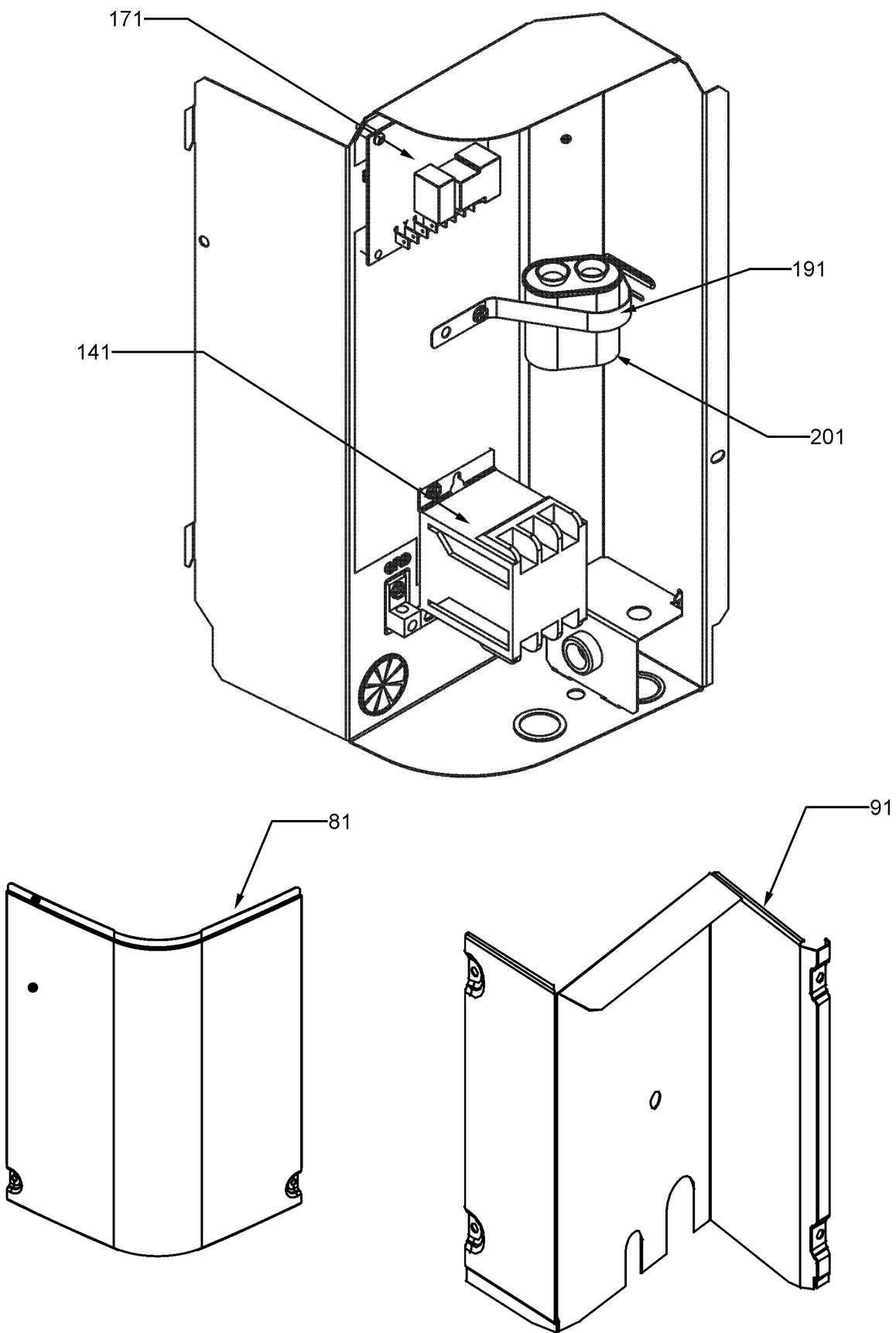
SPECIAL PARTS

0161R00036 NAMEPLATE, DAIKIN

Expanded Model Nomenclature

M1 - DZ14SA0363AA
M2 - DZ14SA0364AA
M3 - DZ14SA0364AB
M4 - DZ14SA0483AA
M5 - DZ14SA0483AB
M6 - DZ14SA0484AA
M7 - DZ14SA0484AB
M8 - DZ14SA0603AA
M9 - DZ14SA0603AB
M10 - DZ14SA0604AA
M11 - DZ14SA0604AB

Control Panel Assembly



Control Panel Assembly

Ref. Part No:	No:	Description:	Ref. Part No:	No:	Description:
---------------	-----	--------------	---------------	-----	--------------

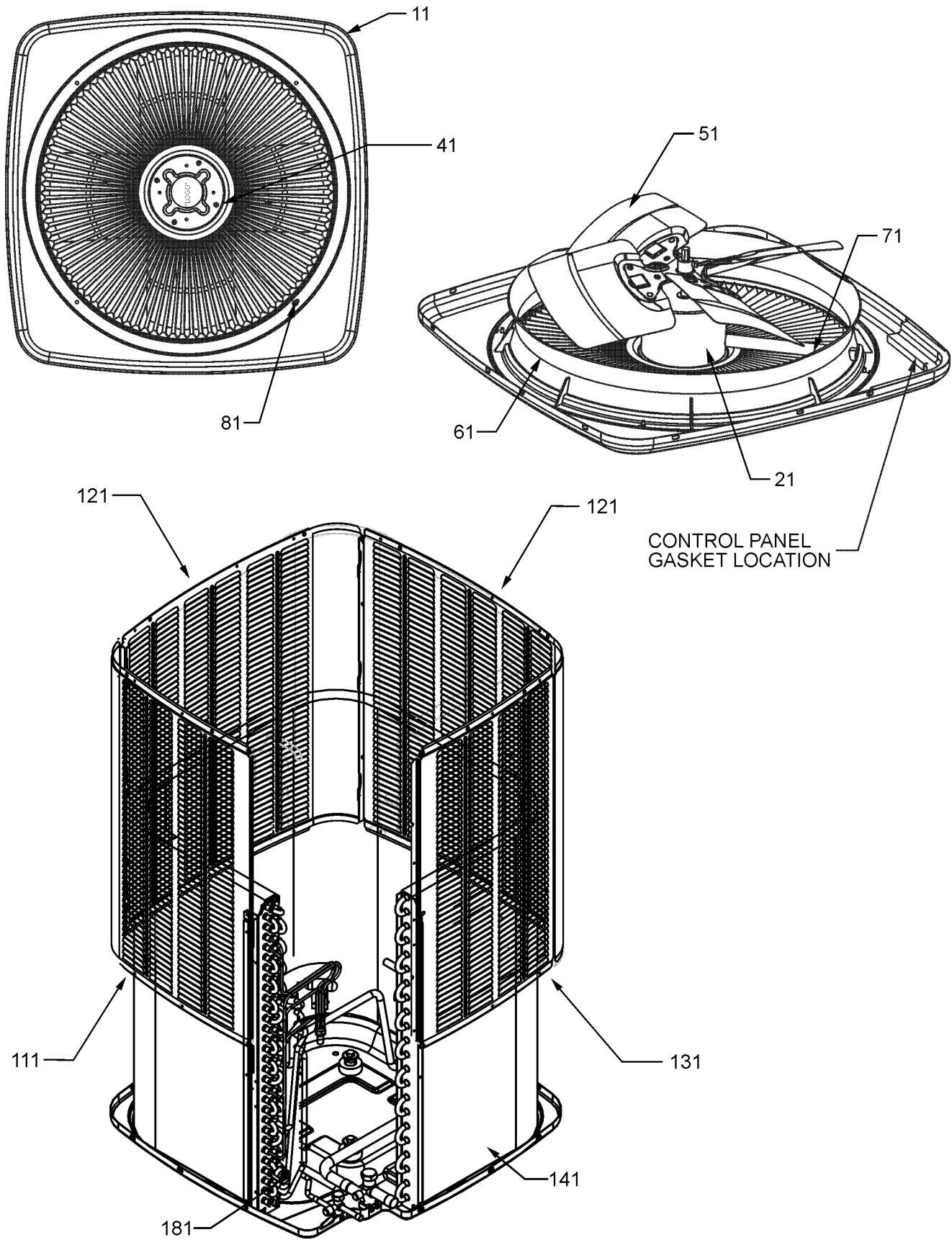
Image 1:

81	0121R00053PNG	CONTROL COVER
91	0121R00154PNG	LOWER ACCESS PANEL (M1, M2, M3, M4, M5, M6, M7)
91	0121R00625PNG	LOWER ACCESS PANEL (M8, M9, M10, M11)
141	CONT3P025024V	CONTACTOR 25 AMP, 3P, 24V
171	PCBDM101	DEFROST CONTROL BOARD
191	4400065	CAPACITOR STRAP
201	CAP050000370LA	CAPACITOR 5/370V
NS	0161R00036	NAMEPLATE, DAIKIN

Expanded Model Nomenclature

M1 - DZ14SA0363AA
M2 - DZ14SA0364AA
M3 - DZ14SA0364AB
M4 - DZ14SA0483AA
M5 - DZ14SA0483AB
M6 - DZ14SA0484AA
M7 - DZ14SA0484AB
M8 - DZ14SA0603AA
M9 - DZ14SA0603AB
M10 - DZ14SA0604AA
M11 - DZ14SA0604AB

Top and Side Panel Assembly



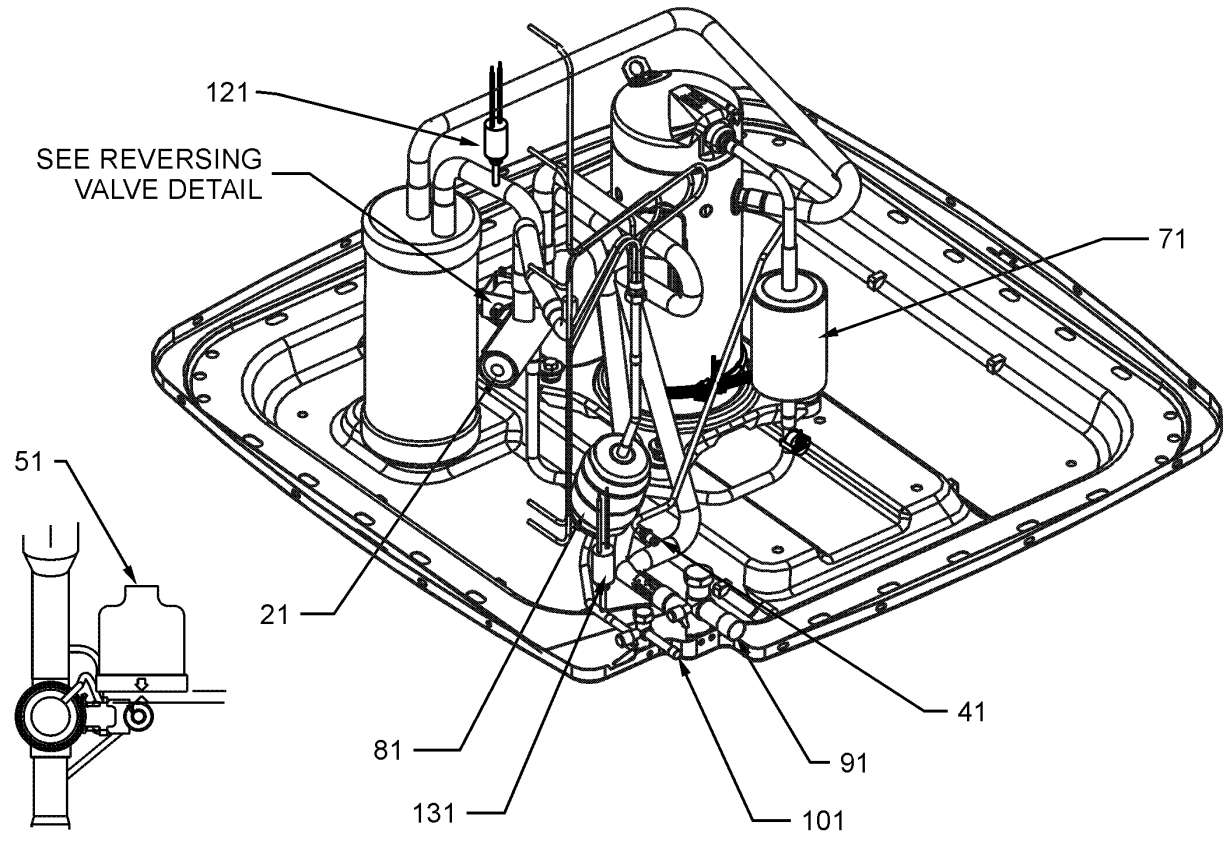
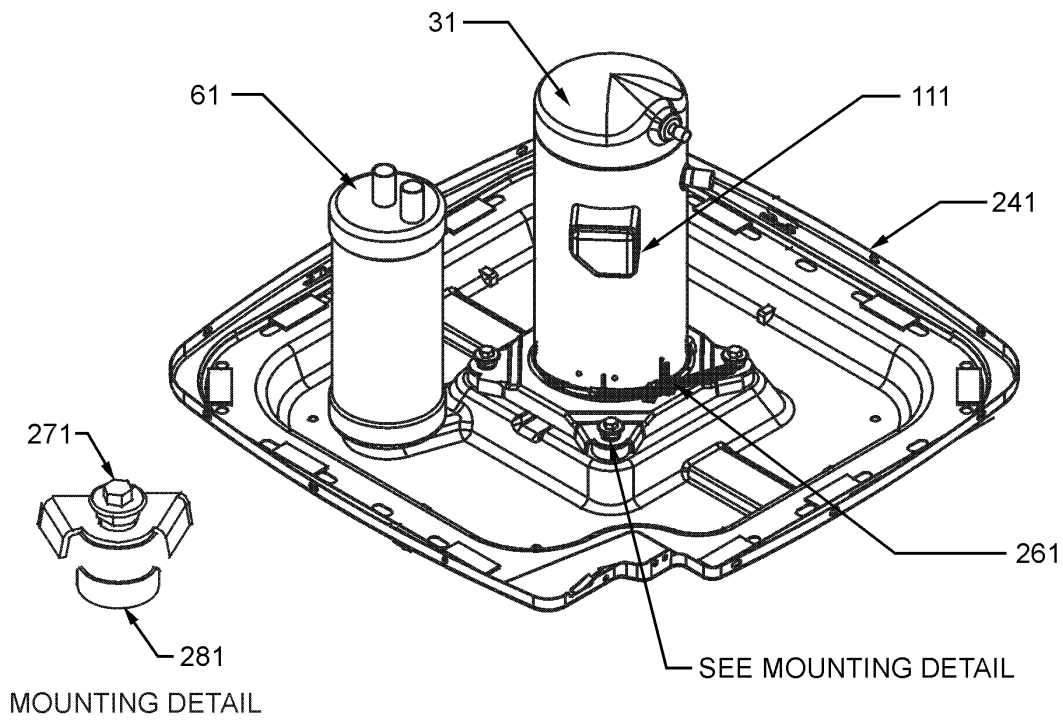
Top and Side Panel Assembly

Ref. Part No:	Ref. Part No:	Description:	Description:
Image 1:			
11	0121R00010PNG	PANEL, TOP 29" PNT (M1, M2, M3, M4, M5, M6, M7)	
11	0121R00269PNG	TOP PANEL, 35" (M8, M9, M10, M11)	
21	0131M00061	COND MOTOR 1/4 HP, 1 SP, 8 PL (M4, M8)	
21	0131M00023S	COND MOTOR 1/6 HP, 8 PL, 460V (M2)	
21	0131M00022	MOTOR 1/4 HP, 8 PL, 460V (M6, M10)	
21	0131M000783	MOTOR, 1/4HP 8PL 460V (M7, M11)	
21	0131M000807	MOTOR, 1/4HP,1SP,8PL,AL (M5, M9)	
21	0131M000784	MOTOR, 1/6HP 8PL 460V (M3)	
21	0131M000753	MOTOR, 1/6HP, 1SP, 8PL, AL (M1)	
41	0163M00006P	ACORN NUT 5/16 HEX BLACK (QTY 4)	
51	10625738	FAN BLADE 26" ALUM CCW (M8, M9, M10, M11)	
51	B1086764	FAN BLADE TYPE 2 (M1, M2, M3)	
51	B1086765	FAN BLADE TYPE 3 (M4, M5, M6, M7)	
61	0161R00048	MOLDED RING-VENTURI 22 (M1, M2, M3, M4, M5, M6, M7)	
61	0161R00049	MOLDED RING-VENTURI 26" (M8, M9, M10, M11)	
71	0161R00002P	CONDUIT (M1, M2, M3, M4, M5, M6, M7)	
71	0161R00004P	CONDUIT (M8, M9, M10, M11)	
81	0163M00004	SCREW #10X3/4", BLACK	
111	0121R00589PNGB	PANEL 1, BENT LOUVER 29_36.38 (M1, M2, M3, M4, M5, M6, M7)	
111	0121R00598PNGB	PANEL 1, BENT LOUVER 29_36.38 (M8, M9, M10, M11)	
121	0121R00599PNGB	PANEL 2, BENT LOUVER 29_34.64 (M8, M9, M10, M11)	
121	0121R00590PNGB	PANEL 2, BENT LOUVER 29_36.38 (M1, M2, M3, M4, M5, M6, M7)	
131	0121R00600PNG	PANEL 3, LOUVER 29_34.64 PNT (M8, M9, M10, M11)	
131	0121R00591PNG	PANEL 3, LOUVER 29_36.38 PNT (M1, M2, M3, M4, M5, M6, M7)	
141	0201R00567	COIL TUBING ASSY (M8, M9, M10, M11)	
141	0201R00581	COIL TUBING ASSY (M4, M5, M6, M7)	
141	0201R00671	COIL TUBING ASSY (M1, M2, M3)	
181	0130M00250	CONTROL, DEFROST	
NS	B1789872	FLOW CHECK PISTON KIT (M1, M2, M3)	
NS	B1789880	FLOW CHECK PISTON KIT .080 (M4, M5, M6, M7)	
NS	B1789888	FLOW CHECK PISTON KIT .088 (M8, M9, M10, M11)	
NS	0154R00006	GASKET, CONTROL PANEL	
NS	0163M00005P	WASHER, BLACK (.50 OD .218ID) (QTY 4)	

Expanded Model Nomenclature

M1 - DZ14SA0363AA
M2 - DZ14SA0364AA
M3 - DZ14SA0364AB
M4 - DZ14SA0483AA
M5 - DZ14SA0483AB
M6 - DZ14SA0484AA
M7 - DZ14SA0484AB
M8 - DZ14SA0603AA
M9 - DZ14SA0603AB
M10 - DZ14SA0604AA
M11 - DZ14SA0604AB

Compressor and Tubing Assembly



Compressor and Tubing Assembly

Ref. Part No:	No:	Description:	Ref. Part No:	No:	Description:
Image 1:					
21	0151R00069	REVERSING VALVE (M1, M2, M3)			
21	0151R00071	REVERSING VALVE (M4, M5, M6, M7, M8, M9, M10, M11)			
31	ZP40K6ETF5130	(COMP, 53500, 208/230/60/3) (M4, M5)			
31	ZP40K6ETFD130	(COMP, 53600, 460/60/3) (M6, M7)			
31	ZP31K6ETF5130	(COMP, 42500, 208/230/60/3) (M1)			
31	ZP31K6ETFD130	(COMP, 42500, 460/60/3) (M2, M3)			
31	ZP51K5ETF5130	COMPRESSOR 51000, 208/230/60/3 (M8, M9)			
31	ZP51K5ETFD130	COMPRESSOR 51000, 460/60/3 (M10, M11)			
41	B1787000	VALVE CORE			
51	0130M00083	REVERSING VALVE HARNESS			
61	0151L00008	ACCUMULATOR (M1, M2, M3)			
61	B1226207	ACCUMULATOR .875 (M4, M5, M6, M7, M8, M9, M10, M11)			
71	0162R00007	MUFFLER 1/2 X 1/2			
81	20485201	BI-FLOW FILTER DRIER			
91	0151R00079	BASE VALVE 3/4" (M1, M2, M3)			
91	0151R00080	BASE VALVE 7/8" (M4, M5, M6, M7, M8, M9, M10, M11)			
101	0151R00078	BASE VALVE 3/8"			
111	0159R00008	COMPRESSOR SCROLL HARNESS (M1, M2, M3, M4, M5, M6, M7)			
111	0159R00009	COMPRESSOR SCROLL HARNESS (M8, M9, M10, M11)			
121	0130R00001	CUT-OUT SWITCH, LOW PRESSURE			
131	0130R00056	CUT-OUT SWITCH, HIGH PRESSURE			
241	0121R00006PNG	BASE PAN 29" (M1, M2, M3, M4, M5, M6, M7)			
241	0121R00007PNG	BASE PAN, 35.5" PNT (M8, M9, M10, M11)			
261	0163R00031	HEATER CRANKCASE 460V, 40W (M2, M3)			
261	0163R00004	HEATER CRANKCASE, 460V, 40W (M6, M7, M10, M11)			
261	0163R00003	HEATER, CRANKCASE 230V 40W (M4, M5, M8, M9)			
261	0163R00002	HEATER, CRANKCASE 230V, 40W (M1)			
271	B1339533	COMPRESSOR GROMMET (QTY 4)			
281	M0221641	TF SHOULDER SCREW (QTY 4)			
NS	0163M00175	CAP WITH O-RING			
NS	B1225022	SOLENOID COIL			

Expanded Model Nomenclature

- M1 - DZ14SA0363AA
- M2 - DZ14SA0364AA
- M3 - DZ14SA0364AB
- M4 - DZ14SA0483AA
- M5 - DZ14SA0483AB
- M6 - DZ14SA0484AA
- M7 - DZ14SA0484AB
- M8 - DZ14SA0603AA
- M9 - DZ14SA0603AB
- M10 - DZ14SA0604AA
- M11 - DZ14SA0604AB